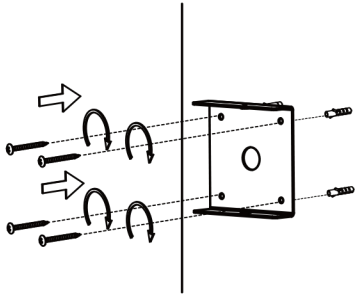


# Installation Instructions - Beauty 500T

10mins Auto-off

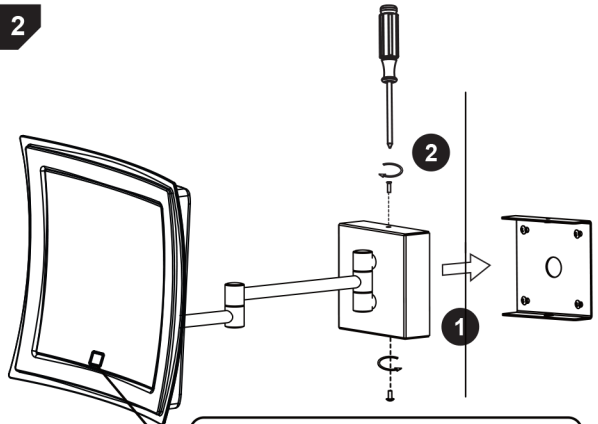
## WALL MOUNT

1



## TOUCH SWITCH

2

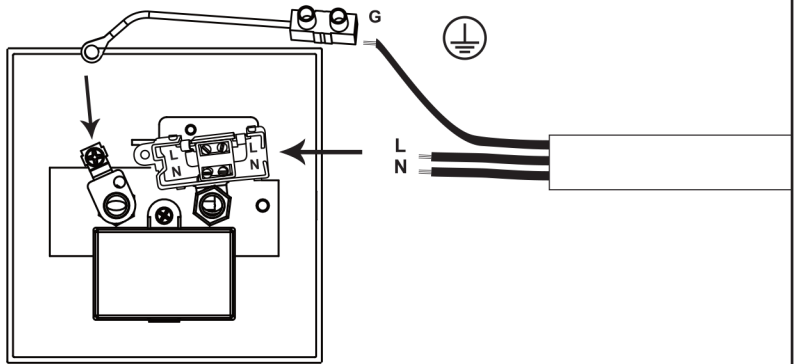


**Single Touch**  
On/Off



**Press & hold**  
Gradient Color Change  
Cool Natural Warm

## CLASS I WIRING CONNECTION



## Cleaning instruction

Do not use any detergent to clean the mirror. No glass cleaner or acidic cleaning chemical. You may use clear alcohol to remove finger marks or grease on the surface. No abrasives or nylon pad for rubbing. Only use damp chamois leather or microfabric cloth.